



HORIZONTAL **PRESSES**

Engineered & Built in the USA

For more than 70 years, Pacific Press has been known for quality machines designed and built in Mount Carmel, Illinois. With over 10,000 machines sold, we take pride in producing robust, heavy duty machines that deliver precise, reliable results.

Pacific Horizontal Presses are ideally suited for a wide variety of applications. Each machine comes with Pacific's industry leading, robust frame design. Custom hydraulic and electrical system options provide the necessary freedom to complete any job, large or small. Each Horizontal Press has variable tonnage and stroke control that gives the operator full power throughout the stroke of the press. Each press comes equipped with simple machine controls but can be upgraded for program storage or auxiliary automation interface.

Because of its versatile nature, Pacific's Horizontal Presses are used in a multitude of applications across many industries. A few examples include:

- The rail industry uses horizontal presses to form and straighten rail sections.
- Custom job shops use Pacific's Horizontal Presses to straighten plate for processing needs.
- Special applications such as auger flight formation and concrete truck mixing rings are formed with Pacific Horizontal Presses.

Pacific's Horizontal Press gives you the necessary power and freedom to complete the most demanding jobs.

Pacific's Horizontal Press line offers the unique capabilities of straightening, bending, punching or forming, all on one machine.

Models available up to 1,250 tons.



Straightening | Bending | Punching | Forming

400 Ton Model

STANDARD FEATURES

- Heavy duty robust frame
- Large tool holder with T slots for tool mounting
- Heavy duty, gusseted end lug
- Industry leading hydraulic systems with standard 2-speed power unit
- Variable tonnage
- Variable stroke with full tonnage throughout entire stroke profile
- Proximity switches for return stroke with .001" accuracy
- 2 to 1 piston to cylinder ratio for shock absorption during punching



200 Ton Horizontal Press



Plate Straightening

OPTIONAL FEATURES

- Custom stroke, speeds and throat depths
- Auto return and pressure reversal
- Programmable tonnage
- Custom machine controls
- Automation interfacing
- Bending pins and straightening blocks
- Custom tooling configurations
- Conveyors (manual and powered)
- A variety of safety systems
- Gib guiding

APPLICATIONS

RAIL STRAIGHTENING AND CONTOURING

Shaped anvils to fit the contour of the rail permit fast straightening as well as precise contouring. Easy access to the working area minimizes handling time. Scale and dirt drop harmlessly through the housings.

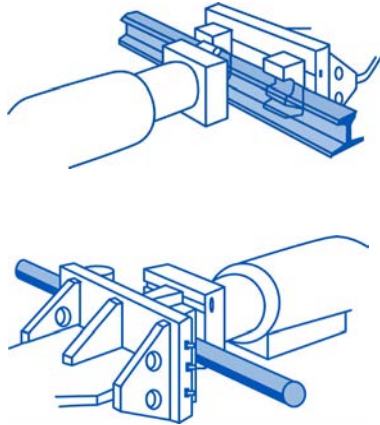
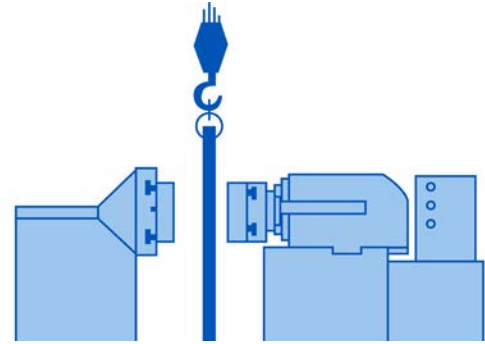
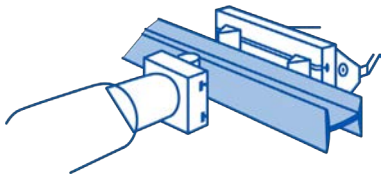


PLATE STRAIGHTENING

Deep throated horizontal presses are available to allow straightening to the center of a six foot or eight foot wide plate.



STRUCTURAL STRAIGHTENING AND CONTOURING

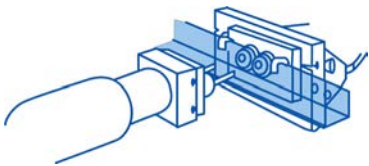


Adjustable die blocks may be mounted on the end lug and tool holder for straightening as well as precise contouring. Material may be fed in on rollers or held by an overhead crane, either way handling is easier because of the horizontal position of the machine.

SPECIAL APPLICATIONS

Our experts have created the perfect equipment solutions for businesses across a wide variety of industries to meet their application requirements.

PUNCHING



The horizontal press is designed for heavy duty punching. The extra large area for oil on the bottom of the piston cushions the shock of breakthrough.



Rail Straightening/Contouring



Plate Straightening



Auger Flights



Structural Beam Straightening

AUTOMATED SOLUTIONS

At Pacific, we are recognized for developing flexible and agile automation systems for a wide variety of manufacturing operations. Pacific designs and fully integrates solutions to maximize efficiencies and ultimately reduce operating costs. Avoid the perceived need to coordinate your own system and trust the leading metal forming OEM in the industry to help your business grow today.

Turn Key System Benefits

- **Equipment fully integrated by OEM**
- **Single source supplier** eliminating the need for multiple vendors for the production of one system
- Integrated automation **improves equipment safety**
- **Save time** with collaborative robotics

Integrated solutions can include:

- Robotic integration
- Feeder systems
- Conveyors and material handling
- Custom software

PACIFIC PRESS PARTNERSHIP



We understand the importance of every business maximizing uptime, and as your partner we are pleased to offer a variety of benefits to promote highly efficient production. When purchasing a Pacific made Press, you are not only buying a machine made in the USA, we believe you are also entering into a **Pacific Partnership**.

This *Pacific Partnership* is built around creating solutions to increase your productivity by maximizing the operating hours of the machine, thus generating profitability. When you purchase a machine from Pacific, you will be investing a durable and reliable piece of equipment that is backed the most trusted OEM in the business.

Pacific's Benefits to Maximize Uptime:

- **Prompt delivery of parts** - Pacific stocks a full inventory of manufactured parts for immediate shipment.
- **Robust Service Department** - Factory trained, company employees. With Pacific you can count on quick response time because our service department is based in our Mount Carmel, Illinois headquarters.
- **PM Programs** - Our proven program keeps your machines productive and minimizes the likelihood of any unplanned downtime. Members of the Preventative Maintenance Program receive diagnostic reports and discounts on parts and service.
- **Productivity Enhancement Programs (PEP)** - This program enables clients to reinvigorate older hydraulic machines (not just Pacific brand) with new electrical and/or hydraulics from a trusted expert.
- **Customized Material Handling Solutions** - We specialize in moving heavy plate efficiently and safely around your machines. Ask about what solutions can be offered for your particular application.

118-006 V0619